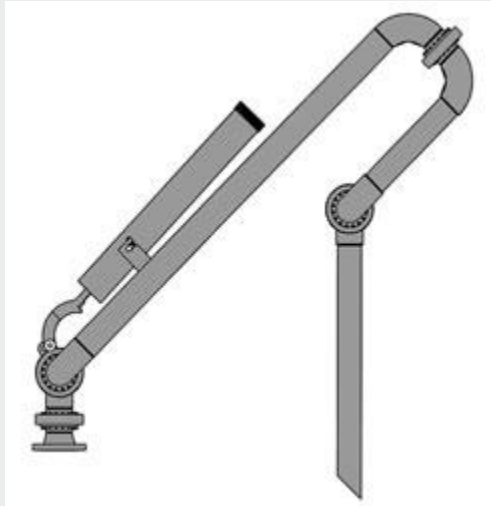
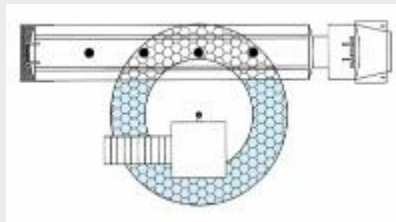


VARIABLE REACH LOADER - E2112



Versatility of reach makes the E2112 Variable Reach Loader ideal for applications where more than one compartment can be reached without re-spotting the vehicle.

Also known as a Pantograph Unit, the E2112 is recommended for medium reach applications less than 11 feet.



Standard arms feature the D2000 World Series swivel joints for ultra low maintenance & the easy to adjust spring cylinder balance.

SPECIFICATIONS

Pipe Size:
2" thorough 12"

Materials:
Carbon Steel
Carbon Steel/Aluminum
Stainless Steel

Standard vertical range of motion:
55° (park position) to - 20° (load position)

Maximum vertical range of movement:

Up to 95° with spring cylinders