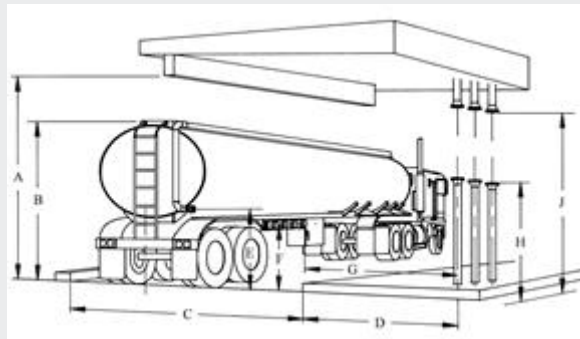


A-FRAME BOTTOM LOADER - E2313



The E2313 "A" Frame Bottom Loader is recommended for servicing both sides of the platform and for adjacent arm crossover. The secondary arm is available as a rigid pipe or hose.

The "A" Frame Bottom Loader offers the advantages of easy handling, long reach and quality Emco Wheaton technology.



Standard arms feature the D2000 World Series swivel joints for ultra low maintenance and the easy to adjust spring cylinder balance.

SPECIFICATIONS

Pipe Size:
2" through 6"

Materials:
Carbon Steel
Aluminum
Stainless steel

Standard vertical range of motion:

55° (park position) to -20° (load position)

Maximum vertical range of movement:

Up to 95° with spring cylinders