

The **Smith Meter® Models RB and UB Air Release Heads** are used in combination with Smith Meter® Air Eliminators or with strainers to release air or gas from petroleum liquids before they pass through the meter.

Features

- NACE Compliance

Applications

The air release head vent should be piped to a safe point of discharge. Never pipe to the inside of a building. Provide the end of the air release pipe with a suitable flame arrestor. The air release line should have an open drip at the lowest point, discharging back to storage or suitable container at atmospheric pressure¹. A valve may be placed in the air release line near the eliminator provided the valve is always open except in an emergency.

Specifications

Vent Connections

Vent connection is .750-14 NPT

Product Specific Gravity

Model RB – 0.50 minimum

Model UB (300 PSIG MAWP) – 0.52 minimum

Model UB (720 PSIG MAWP) – 0.57 minimum

Maximum Working Pressure

Model RB – 300 PSIG² @ 100F

Model UB – 300 PSIG @ 100F

Model UB (Standard) – 720 PSIG @ 100F

Temperature

RB, Buna-N Seals: -20 to 225F (-29 to 107C)

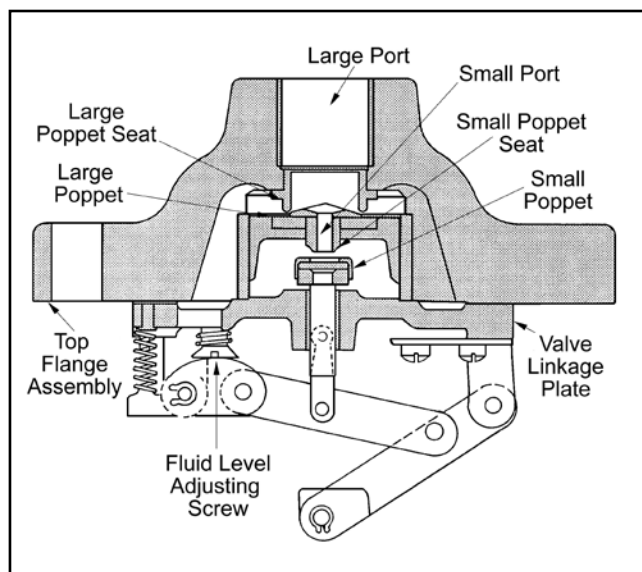
RB, UB, Viton Seals: 10 to 400F (-12 to 204C)

UB, Chemraz Seals: -20 to 500F (-29 to 260C)

RB, Low Swell Buna Seals: -20 to 225F (-29 to 107C)



Type RB Air Release Head



Type UB Air Release Head

¹ **Note:** Follow all local, state, and federal regulations.

² **Note:** Maximum 285 psig for vertical RB head design.

Materials of Construction

Model RB Head

Mounting Plate – A 105 Carbon Steel
Seal Block – B 85 Aluminum (Anodized)
Linkage / Hardware – Stainless Steel
Float – 304 Stainless Steel
Float Guard – A 366 Carbon Steel, Epoxy Coated

Model UB Head

Mounting Plate – A 216 Grade WCB Carbon Steel
Distributor Plate – A 48 Class 30 Cast Iron
Piston – Stainless Steel
Linkage / Hardware – Stainless Steel
Float – 304 Stainless Steel
Float Guard – A 366 Carbon Steel, Epoxy Coated

Modeling

- 00** – NPT Vent Port (Standard)
- R1** – RB Head with Buna-N seals (300 psig)
- R2** – RB Head with Viton seals (300 psig)
- R3** – RB Head with LS Buna seals
- VR1** – RB Head with Buna-N seals (285 psig)*
- VR2** – RB Head with Viton seals (285 psig)*
- VR3** – RB Head with LS-Buna seals*
- P1** – Petro-Gard style RB Head with Buna-N seals
- P2** – Petro-Gard style RB Head with Viton seals
- VP1** – Petro-Gard style RB Head with Buna-N seals*
- VP2** – Petro-Gard style RB Head with Viton seals*
- U1** – UB Head with Viton seals (720 psig)
- U2** – UB Head with Chemraz seals (720 psig)
- U3** – UB Head with Viton seals (300 psig)
- U4** – UB Head with Chemraz seals (300 psig)

*Only used with VAR tank.

Revisions included in SS03040 Issue/Rev. 0.3 (1/14):
VAR added to modeling section - page 2.
Note 2 added on page 1.



**RB Air Release Head on Smith Meter® Model AR
Air Eliminator**

Ordering Information

Operating Conditions: Liquid (name and specific gravity),
Temperature Range (minimum and maximum), Maximum
Operating Pressure, (for Canada) CRN requirements.

Headquarters:

500 North Sam Houston Parkway West,
Suite 100, Houston, TX 77067 USA
Phone: +1 (281) 260 2190
Fax: +1 (281) 260 2191

Operations:

Measurement Products and Equipment:
Ellerbek, Germany +49 (4101) 3040
Erie, PA USA +1 (814) 898 5000

Integrated Measurement Systems:

Corpus Christi, TX USA +1 (361) 289 3400
Kongsberg, Norway +47 (32) 286700

The specifications contained herein are subject to change without notice and any user of said specifications should verify from the manufacturer that the specifications are currently in effect. Otherwise, the manufacturer assumes no responsibility for the use of specifications which may have been changed and are no longer in effect.

Contact information is subject to change. For the most current contact information, visit our website at www.fmctechnologies.com/measurementsolutions and click on the "Contact Us" link in the left-hand column.

www.fmctechnologies.com/measurementsolutions